

**BALDOR® • RELIANCE** 

**Product Information Packet**

**EM2555T**

**100HP, 1780RPM, 3PH, 60HZ, 404T, 4484M, OPSB, F**

Part Detail							
Revision:	P	Status:	PRD/A	Change #:		Proprietary:	No
Type:	AC	Elec. Spec:	44WGW308	CD Diagram:	CD0180	Mfg Plant:	
Mech. Spec:	44E057	Layout:	44LYE057	Poles:	04	Created Date:	08-06-2010
Base:	RG	Eff. Date:	04-08-2019	Leads:	9#4		

Specs			
Catalog Number:	EM2555T	Insulation Class:	F
Product Complexity Level:	Core	Inverter Code:	Inverter Ready
Enclosure:	OPSB	KVA Code:	H
Frame:	404T	Lifting Lugs:	Standard Lifting Lugs
Frame Material:	Steel	Locked Bearing Indicator:	Locked Bearing
Output @ Frequency:	100.000 HP @ 60 HZ	Motor Lead Quantity/Wire Size:	9 @ 4 AWG
Synchronous Speed @ Frequency:	1800 RPM @ 60 HZ	Motor Lead Exit:	Ko Box
Voltage @ Frequency:	460.0 V @ 60 HZ	Motor Lead Termination:	Flying Leads
	230.0 V @ 60 HZ	Motor Type:	4484M
Agency Approvals:	CSA	Mounting Arrangement:	F1
	CSA EEV	Power Factor:	83
	UR	Product Family:	General Purpose
Auxillary Box:	No Auxillary Box	Pulley End Bearing Type:	Ball
Auxillary Box Lead Termination:	None	Pulley Face Code:	Standard
Base Indicator:	Rigid	Pulley Shaft Indicator:	Standard
Bearing Grease Type:	Polyrex EM (-20F +300F)	Rodent Screen:	None
Blower:	None	Shaft Extension Location:	Pulley End
Current @ Voltage:	248.000 A @ 208.0 V	Shaft Ground Indicator:	No Shaft Grounding

	236.000 A @ 230.0 V	<b>Shaft Rotation:</b>	Reversible
	118.000 A @ 460.0 V	<b>Shaft Slinger Indicator:</b>	No Slinger
<b>Design Code:</b>	A	<b>Speed Code:</b>	Single Speed
<b>Drip Cover:</b>	No Drip Cover	<b>Motor Standards:</b>	NEMA
<b>Duty Rating:</b>	CONT	<b>Starting Method:</b>	Direct on line
<b>Electrically Isolated Bearing:</b>	Not Electrically Isolated	<b>Thermal Device - Bearing:</b>	None
<b>Feedback Device:</b>	NO FEEDBACK	<b>Thermal Device - Winding:</b>	None
<b>Front Face Code:</b>	Standard	<b>Vibration Sensor Indicator:</b>	No Vibration Sensor
<b>Front Shaft Indicator:</b>	None	<b>Winding Thermal 1:</b>	None
<b>Heater Indicator:</b>	No Heater	<b>Winding Thermal 2:</b>	None

Nameplate NP2138LUA												
CAT.NO.	EM2555T			P/N				ENCLOSURE	OPSB			
SPEC.	44E057W308G1		CC	010A		FRAME	404T		S/N			
HP	100			CLASS	F		HZ	60				
RPM	1780			PH	3		DES	A				
VOLT	230/460			KVA-CODE	H		ODE BRG	6312		DE BRG	6316	
AMP	236/118			USABLE AT 208V	248							
RATING	40C AMB-CONT			GREASE	POLYREX EM							
NEMA-NOM-EFF	95.4		PF	83		SER.F.	1.15					
HTR-VOLTS	50Hz 100Hp 190/380V 280/140A					SF 1.0						
	HTR-AMPS											

Parts List		
Part Number	Description	Quantity
SA201361	SA 44E057W308G1	1.000 EA
RA188660	RA 44E057W308G1	1.000 EA
HA6731	LIFTING LUG FOR 44 FRAME MOTORS.	2.000 EA
HA6648A01	CAST ADAPTER, 44 FRAME - NEMA 404-5 - MA	1.000 EA
19XW3816A12	.38-16 X .75 HEX WASHER HEAD TAPTITE II	2.000 EA
HW1001A38	LOCKWASHER 3/8, ZINC PLT .688 OD, .382 I	2.000 EA
18CB1006A04	CB 318 3.62 LD HOLE, .38 MTG HOLE & 3.88	1.000 EA
19XW3118A16	.31-18 HEX WASHER HEAD TAPTITE II 1.00 L	4.000 EA
HW1001A31	LOCKWASHER 5/16, ZINC PLT.591 OD, .319 I	4.000 EA
WD1000B25	GND LUG, BURNDY L125HP OR T&B L125HP-BB	1.000 EA
10XN3118K08	5/16-18 X .50 GRADE #5, STL, ZINC PLATE	1.000 EA
HW1001A31	LOCKWASHER 5/16, ZINC PLT.591 OD, .319 I	1.000 EA
44EP1203A02	FREP, MACH	1.000 EA
HW5100A15	W4997-050 WVY WSHR (WB)	1.000 EA
10XN3816K48	3/8-16 X 3 HEX HD CAP SCREW,Z/P	4.000 EA
HW1001A38	LOCKWASHER 3/8, ZINC PLT .688 OD, .382 I	4.000 EA
44EP1202A01	PU ENDPLATE, MACH.	1.000 EA
XY5013A12	NUT,1/2-13,HEX,STEEL,ZINCPLATED	8.000 EA
18CB1506A01	CB LID 318 FOR 18CB1006	1.000 EA
10XN3118K16	5/16-18 X 1' GRADE #5, STL, ZINC PLATE	4.000 EA
HW1001A31	LOCKWASHER 5/16, ZINC PLT.591 OD, .319 I	4.000 EA
HW2501K66	KEY, 3/4 SQ X 5.625	1.000 EA
LB1115N	LABEL,LIFTING DEVICE (ON ROLLS)	1.000 EA
HA4051A00	PLASTIC CAP FOR GREASE FITTING	1.000 EA

<b>Parts List (continued)</b>		
<b>Part Number</b>	<b>Description</b>	<b>Quantity</b>
HW4500A03	GREASE FITTING, .125 NPT 1610(ALEMITE) 8	1.000 EA
HW4500A20	1/8NPT SL PIPE PLUG	1.000 EA
MJ1000A02	GREASE, MOBIL POLYREX EM - 124047	0.030 LB
HA4051A00	PLASTIC CAP FOR GREASE FITTING	1.000 EA
HW4500A03	GREASE FITTING, .125 NPT 1610(ALEMITE) 8	1.000 EA
HW4500A20	1/8NPT SL PIPE PLUG	1.000 EA
MG1000Y03	MUNSELL 2.53Y 6.70/ 4.60, GLOSS 20,	0.080 GA
85XU0407S04	4X1/4 U DRIVE PIN STAINLESS	4.000 EA
44AD2003A01	BAFFLE PLATE 44 OPSB, "X" = -.470, "Y" =	1.000 EA
44AD2003A01	BAFFLE PLATE 44 OPSB, "X" = -.470, "Y" =	1.000 EA
HA3175A03	THRUBOLT STUD 1/2-13 X 24.250 - GRADE 2	4.000 EA
LB1119N	WARNING LABEL	1.000 EA
LC0181	CONNECTION LABEL	1.000 EA
NP2138LUA	ALUM SUPER-E UL CSA-EEV PREM CC (300SER)	1.000 EA
MN416A01	TAG-INSTAL-MAINT no wire (1200/bx) 1/21	1.000 EA
44PA1000	PK GP COMB PRINT 39-3/8X31X23-7/8	1.000 EA

**AC Induction Motor Performance Data**

Record # 31771

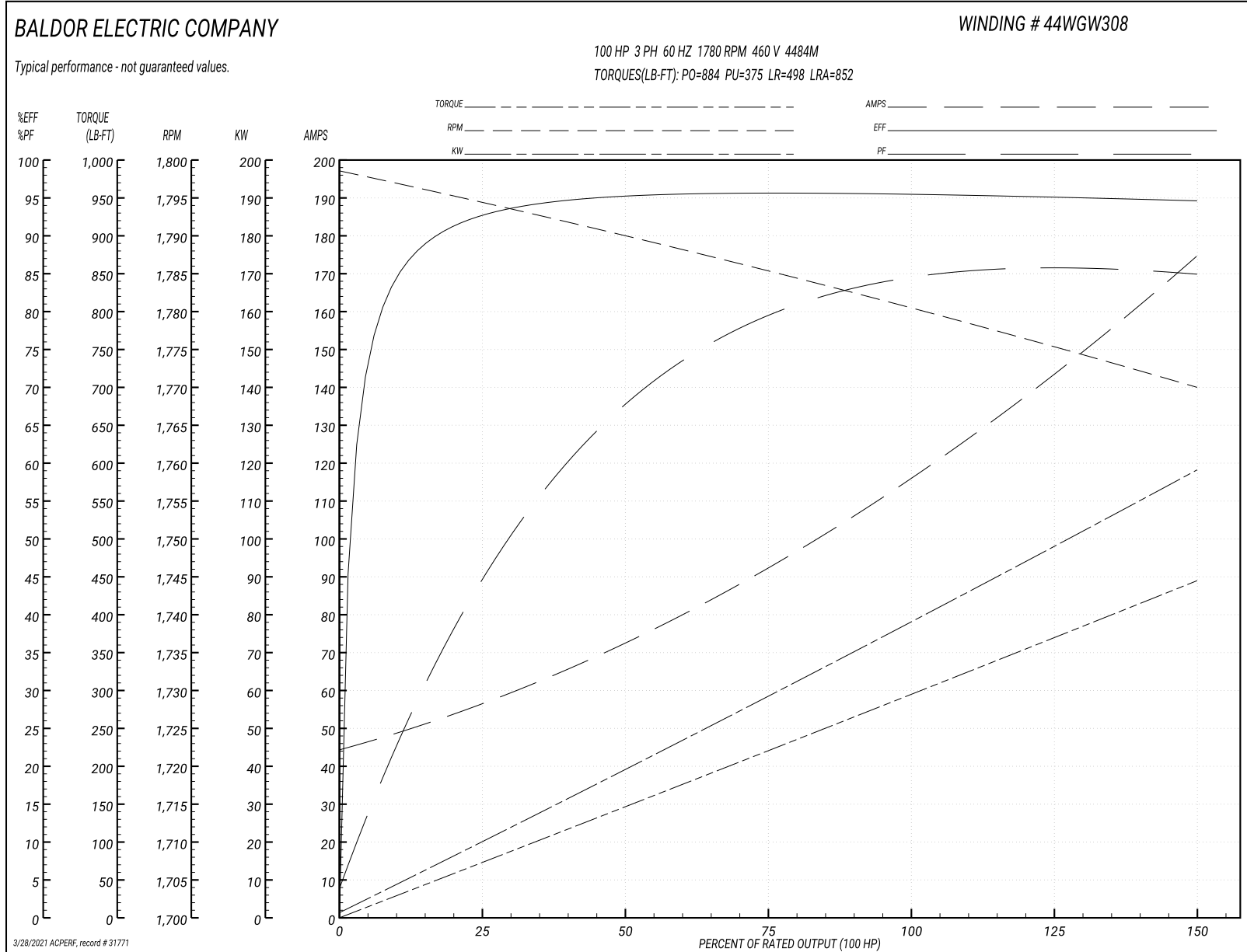
Typical performance - not guaranteed values

<b>Winding: 44WG308-R001</b>		<b>Type: 4484M</b>		<b>Enclosure: OPSB</b>	
<b>Nameplate Data</b>			<b>460 V, 60 Hz: High Voltage Connection</b>		
<b>Rated Output (HP)</b>	100	<b>Full Load Torque</b>	295 LB-FT		
<b>Volts</b>	230/460	<b>Start Configuration</b>	direct on line		
<b>Full Load Amps</b>	236/118	<b>Breakdown Torque</b>	884 LB-FT		
<b>R.P.M.</b>	1780	<b>Pull-up Torque</b>	375 LB-FT		
<b>Hz</b>	60 <b>Phase</b>	3	<b>Locked-rotor Torque</b>	498 LB-FT	
<b>NEMA Design Code</b>	A <b>KVA Code</b>	H	<b>Starting Current</b>	852 A	
<b>Service Factor (S.F.)</b>	1.15	<b>No-load Current</b>	46.4 A		
<b>NEMA Nom. Eff.</b>	95.4 <b>Power Factor</b>	83	<b>Line-line Res. @ 25°C</b>	0.045551 Ω	
<b>Rating - Duty</b>	40C AMB-CONT	<b>Temp. Rise @ Rated Load</b>	47°C		
<b>S.F. Amps</b>		<b>Temp. Rise @ S.F. Load</b>	57°C		
		<b>Locked-rotor Power Factor</b>	25.3		
		<b>Rotor inertia</b>	15.9 LB-FT <sup>2</sup>		

**Load Characteristics 460 V, 60 Hz, 100 HP**

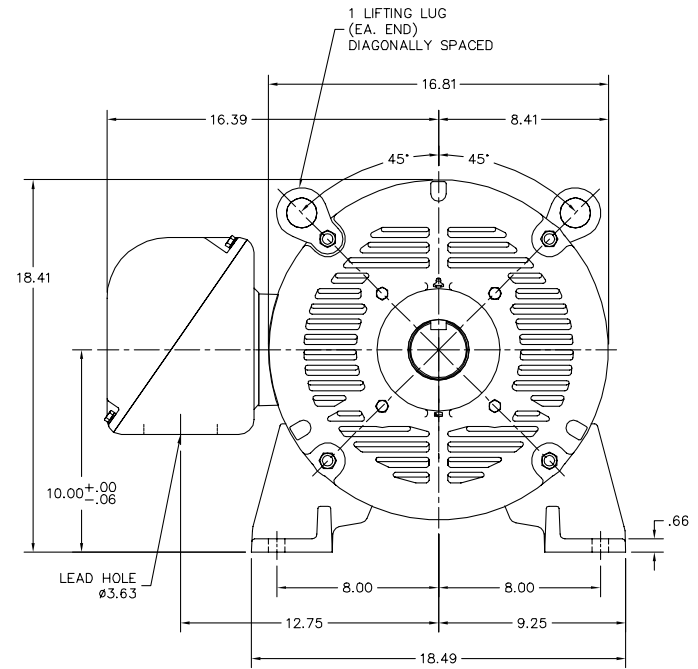
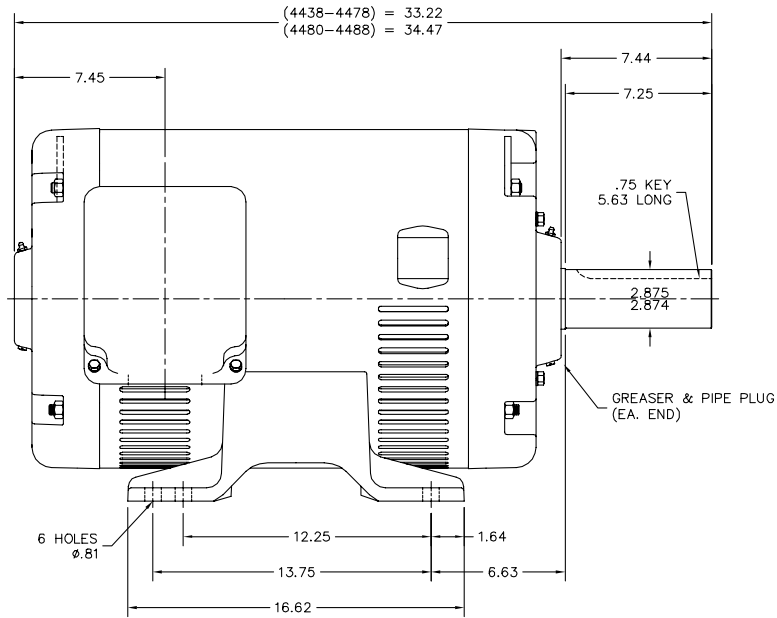
<b>% of Rated Load</b>	<b>25</b>	<b>50</b>	<b>75</b>	<b>100</b>	<b>125</b>	<b>150</b>	<b>S.F.</b>
<b>Power Factor</b>	46	70	79	83	85	86	84
<b>Efficiency</b>	92.6	95.3	95.7	95.6	95.2	94.6	95.4
<b>Speed</b>	1794	1789.8	1785.5	1780.7	1775.5	1769.8	1778
<b>Line amperes</b>	54.2	70.6	92.8	118	145	173	134

Performance Graph at 460V, 60Hz, 100.0HP Typical performance - Not guaranteed values





44LYE057



44LYE057

CUSTOMER IS RESPONSIBLE FOR DETERMINING THAT BALDOR'S PRODUCT WILL PERFORM SUITABLY IN THE INTENDED APPLICATION.

REV. DESC: ADDED MISSING DIMENSION		
REV. LTR: B	VERSION: 01	TDR: 000000858752
FILE: \AAA\00075\019	REVISED: 09:24:17 06/18/2014	BY: ENNINDO
MTL: -		

**BALDOR**  
 HORZ OPSB 404-5T W/44AD2003  
 SH 1 of 1

CD0180



LOW VOLTAGE  
(2D)



HIGH VOLTAGE  
(1D)



NOTES:

1. INTERCHANGE ANY TWO LINE LEADS TO REVERSE ROTATION.
2. OPTIONAL THERMOSTATS ARE PROVIDED WHEN SPECIFIED.
3. ACTUAL NUMBER OF INTERNAL PARALLEL CIRCUITS MAY BE A MULTIPLE OF THOSE SHOWN ABOVE.
4. LEAD COLORS ARE OPTIONAL. LEADS MUST ALWAYS BE NUMBERED AS SHOWN.

CD0180

REV. DESC: ADD CLASS CONN00000007		
REV. LTR: D	VERSION: 01	TDR: 000001099922
FILE: \AAA\00005\148	REVISED: 10:25:29 02/19/2019	BY: ENBRIRO
MTL: -	© □	

**BALDOR - RELIANCE®**

3PH, DV, 9 LEADS, DELTA CONNECTION

SH 1 of 1

Marketing maintained PDF of MN416:

<http://www.baldor.com/support/Literature/Load.ashx/MN416?ManNumber=MN416>