

**BALDOR® • RELIANCE** 

**Product Information Packet**

**M4115T**

**50HP,1765RPM,3PH,60HZ,326T,1076M,TEFC,F1**

Part Detail							
Revision:	H	Status:	INA/A	Change #:		Proprietary:	No
Type:	AC	Elec. Spec:	10WGX909	CD Diagram:	CD0180	Mfg Plant:	
Mech. Spec:	10F315	Layout:	10LYF315	Poles:	04	Created Date:	
Base:	RG	Eff. Date:	02-28-2007	Leads:	9#8		

Specs			
Catalog Number:	M4115T	Heater Indicator:	No Heater
Enclosure:	TEFC	Insulation Class:	F
Frame:	326T	Inverter Code:	Not Inverter
Frame Material:	Iron	KVA Code:	G
Output @ Frequency:	50.000 HP @ 60 HZ	Lifting Lugs:	Standard Lifting Lugs
Synchronous Speed @ Frequency:	1800 RPM @ 60 HZ	Locked Bearing Indicator:	Locked Bearing
Voltage @ Frequency:	460.0 V @ 60 HZ	Motor Lead Quantity/Wire Size:	9 @ 8 AWG
	230.0 V @ 60 HZ	Motor Lead Exit:	Ko Box
	208.0 V @ 60 HZ	Motor Lead Termination:	Flying Leads
XP Division:	Not Applicable	Motor Type:	1076M
Agency Approvals:	UR	Mounting Arrangement:	F1
	CSA	Power Factor:	85
Auxillary Box:	No Auxillary Box	Product Family:	General Purpose
Auxillary Box Lead Termination:	None	Pulley End Bearing Type:	Ball
Base Indicator:	Rigid	Pulley Face Code:	Standard
Bearing Grease Type:	Polyrex EM (-20F +300F)	Pulley Shaft Indicator:	Standard
Blower:	None	Rodent Screen:	None
Current @ Voltage:	118.000 A @ 230.0 V	Shaft Extension Location:	Pulley End

	127.000 A @ 208.0 V	<b>Shaft Ground Indicator:</b>	No Shaft Grounding
	59.000 A @ 460.0 V	<b>Shaft Rotation:</b>	Reversible
<b>Design Code:</b>	A	<b>Shaft Slinger Indicator:</b>	Shaft Slinger
<b>Drip Cover:</b>	No Drip Cover	<b>Speed Code:</b>	Single Speed
<b>Duty Rating:</b>	CONT	<b>Motor Standards:</b>	NEMA
<b>Electrically Isolated Bearing:</b>	Not Electrically Isolated	<b>Starting Method:</b>	Direct on line
<b>Feedback Device:</b>	NO FEEDBACK	<b>Thermal Device - Bearing:</b>	None
<b>Front Face Code:</b>	Standard	<b>Thermal Device - Winding:</b>	None
<b>Front Shaft Indicator:</b>	None	<b>Vibration Sensor Indicator:</b>	No Vibration Sensor

Nameplate NP1256L										
CAT.NO.	M4115T									
SPEC.	10F315X909H2									
HP	50									
VOLTS	208-230/460									
AMP	127-118/59									
RPM	1765									
FRAME	326T				HZ	60			PH	3
SER.F.	1.15		CODE	G	DES	A		CLASS	F	
NEMA-NOM-EFF	93		PF	85						
RATING	40C AMB-CONT									
CC	010A				USABLE AT 208V					
DE	6312				ODE	6309				
ENCL	TEFC		SN							

Parts List		
Part Number	Description	Quantity
SA119706	SA 10F315X909H2	1.000 EA
RA110470	RA 10F315X909H2	1.000 EA
09FN3001A02SP	EXTERNAL FAN, PLASTIC	1.000 EA
S/P101-000-003	EPACT PROC-ZK 280FR & UP,LARGE KOBX,POLY	1.000 EA
10CB3001	CONDUIT BOX CAST W/2.500 LEAD HOLE	1.000 EA
10XN3118K12	5/16-18 X .75 GRADE 5, ZINC PLATED	4.000 EA
HW1001A31	LOCKWASHER 5/16, ZINC PLT.591 OD, .319 I	4.000 EA
WD1000B16	T&B CX70TN OR L70P TERMINAL LUG	1.000 EA
51XF2520A08	SCREW, HEX SER SLT HD, ZN 1/4-20 X .50 L	1.000 EA
10EP1106A01	FR ENDPLATE, MACH	1.000 EA
HA4051A00	PLASTIC CAP FOR GREASE FITTING	1.000 EA
XY3816A12	3/8-16 FINISHED NUT	4.000 EA
HW1001A38	LOCKWASHER 3/8, ZINC PLT .688 OD, .382 I	4.000 EA
HW5100A11	W3917-042 WVY WSHR (WB)	1.000 EA
10XN2520K32	1/4-20 X 2.00 HX HD SCRW GRADE 5, ZINC P	2.000 EA
HW1001A25	LOCKWASHER 1/4, ZINC PLT .493 OD, .255 I	2.000 EA
10XN3118K44	5/16-18 X 2.75" HEX HD, GRADE 5	4.000 EA
HW1001A31	LOCKWASHER 5/16, ZINC PLT.591 OD, .319 I	4.000 EA
10EP1108A01	PULLEY ENDPLATE - 312 BRG.- ENCL.	1.000 EA
HA4051A00	PLASTIC CAP FOR GREASE FITTING	1.000 EA
HA3113A15	THRUBOLT 3/8-16 X 18.875 W/3.50 THD LENG	4.000 EA
HW1001A38	LOCKWASHER 3/8, ZINC PLT .688 OD, .382 I	4.000 EA
10FH4000	310 FAN HOUSING STAMPED	1.000 EA
10XN2520K08	1/4-20 X .50 GRADE #5, STL, ZINC PLATE	4.000 EA

Parts List (continued)		
Part Number	Description	Quantity
HW1001A25	LOCKWASHER 1/4, ZINC PLT .493 OD, .255 I	4.000 EA
10CB3500SP	CONDUIT BOX LID, CAST	1.000 EA
51XW2520A12	.25-20 X .75, TAPTITE II, HEX WSHR SLTD	4.000 EA
HW4600B41	V-RING SLINGER 2.125 X 2.880 X 0.280	1.000 EA
HW2501H33	KEY, 1/2 SQ X 3.875	1.000 EA
LB1115N	LABEL,LIFTING DEVICE (ON ROLLS)	1.000 EA
12GS1000	GASKET	1.000 EA
HW4500A21	1618BALEMITE FITTING 825 UNIVERSAL	1.000 EA
HA4017A01	1/8 X 4 GREASE EXT (F/S)	1.000 EA
HW4500A17	317400 ALEMITE GREASE RELIEF	1.000 EA
HA4001A01SP	DRAIN PLUG, PLASTIC (MICRO PLAS)	1.000 EA
MJ1000A02	GREASE, MOBIL POLYREX EM - 124047	0.130 LB
HW4500A03	GREASE FITTING, .125 NPT 1610(ALEMITE) 8	1.000 EA
HW4500A17	317400 ALEMITE GREASE RELIEF	1.000 EA
HA4001A01SP	DRAIN PLUG, PLASTIC (MICRO PLAS)	1.000 EA
10GS1000SP	GASKET, CONDUIT BOX LID	1.000 EA
MG1000G27	MED CHARCOAL METALLIC GREY 400-0096	0.070 GA
85XU0407A04	#4-7 X 1/4 DRIVE PIN	2.000 EA
MN416A01	TAG-INSTAL-MAINT no wire (1200/bx) 1/21	1.000 EA
HW2500A25	WOODRUFF KEY USA #1008 #BLOW CARBON STEE	1.000 EA
51XB1214A20	12-14X1.25 HXWSSLD SERTYB	1.000 EA
LB1119N	WARNING LABEL	1.000 EA
LB1125C04	STD-E (STOCK CTN LABEL STD-E WITH FLAG)	4.000 EA
LC0181	CONNECTION LABEL	1.000 EA

Product Information Packet: M4115T - 50HP,1765RPM,3PH,60HZ,326T,1076M,TEFC,F1

---

NP1256L	ALUM UL CSA CC INDUSTRIAL MOTOR A60	1.000 EA
42PA1007	PACKAGING GROUP, 09 STD	1.000 EA

<b>Accessories</b>		
<b>Part Number</b>	<b>Description</b>	<b>Multiplier</b>
10-1304	C FACE KIT	A8



**AC Induction Motor Performance Data**

Record # 17937

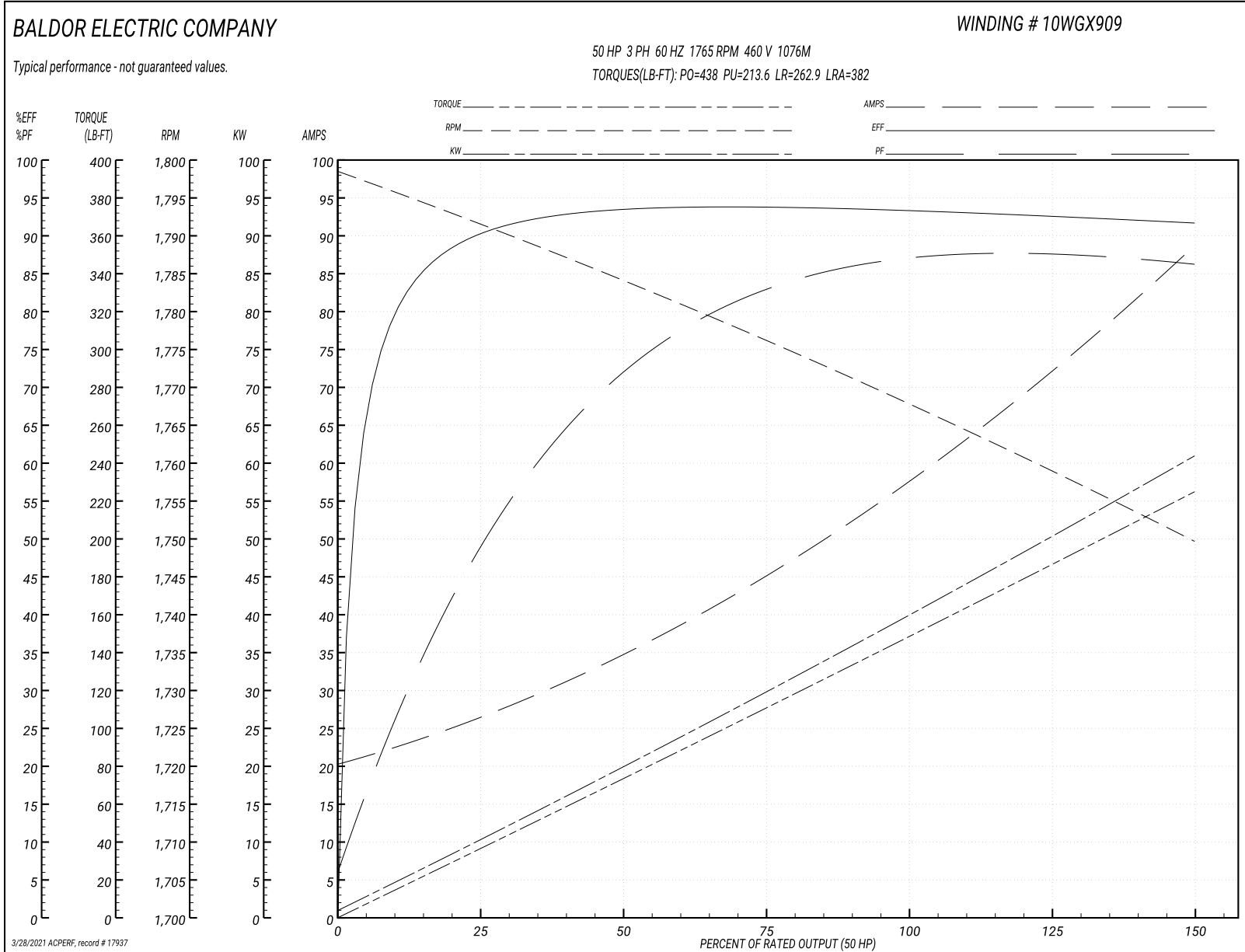
Typical performance - not guaranteed values

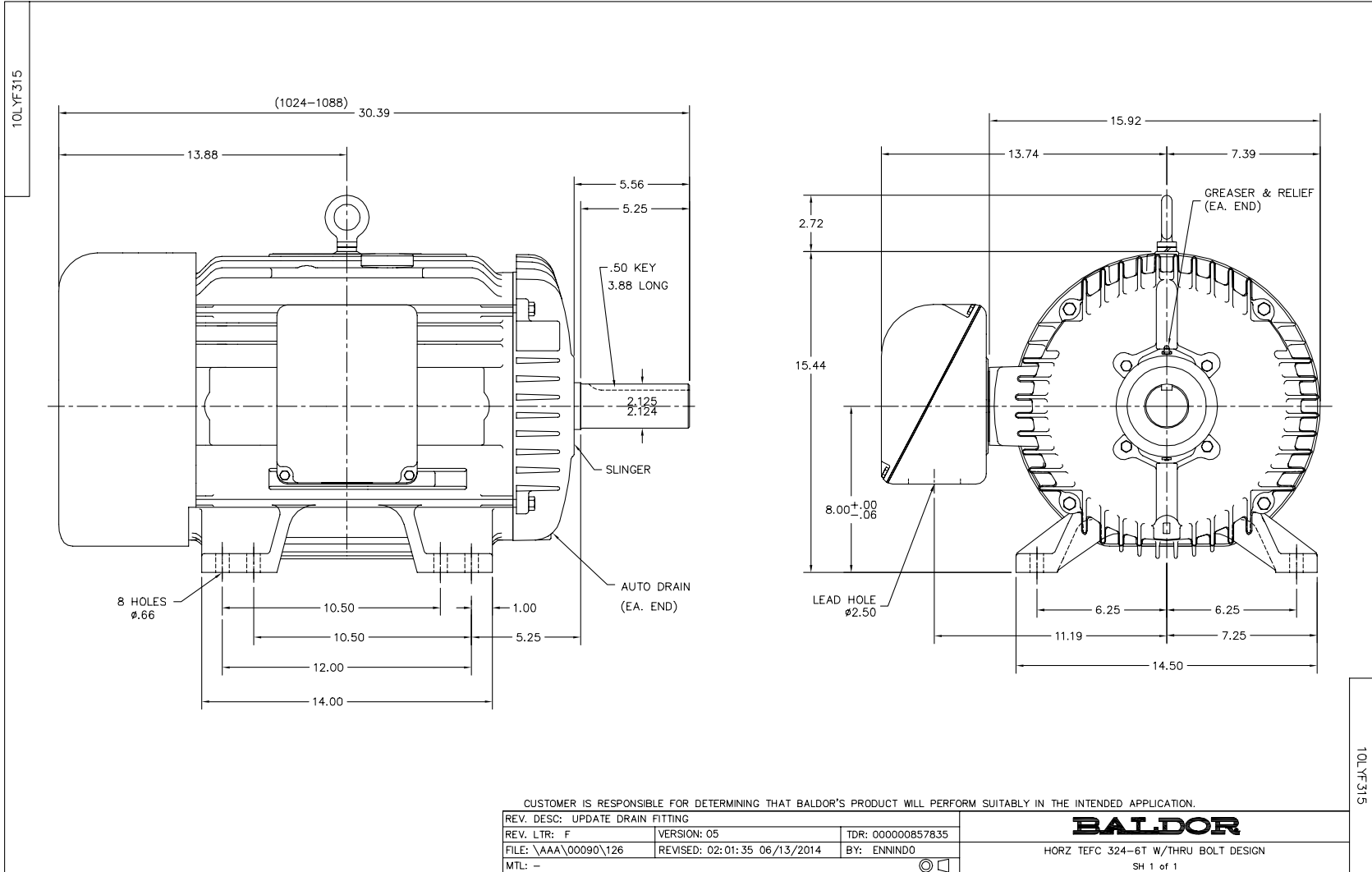
Winding: 10WGX909-R001			Type: 1076M			Enclosure: TEFC		
<b>Nameplate Data</b>						<b>460 V, 60 Hz: High Voltage Connection</b>		
Rated Output (HP)	50		Full Load Torque	149 LB-FT				
Volts	208-230/460		Start Configuration	direct on line				
Full Load Amps	127-118/59		Breakdown Torque	438 LB-FT				
R.P.M.	1765		Pull-up Torque	213.6 LB-FT				
Hz	60 Phase	3	Locked-rotor Torque	262.9 LB-FT				
NEMA Design Code	A KVA Code	G	Starting Current	382 A				
Service Factor (S.F.)	1.15		No-load Current	21.2 A				
NEMA Nom. Eff.	93 Power Factor	85	Line-line Res. @ 25°C	0.123 Ω				
Rating - Duty	40C AMB-CONT		Temp. Rise @ Rated Load	79°C				
S.F. Amps			Temp. Rise @ S.F. Load	102°C				
			Locked-rotor Power Factor	30				
			Rotor inertia	6.04 LB-FT <sup>2</sup>				

**Load Characteristics 460 V, 60 Hz, 50 HP**

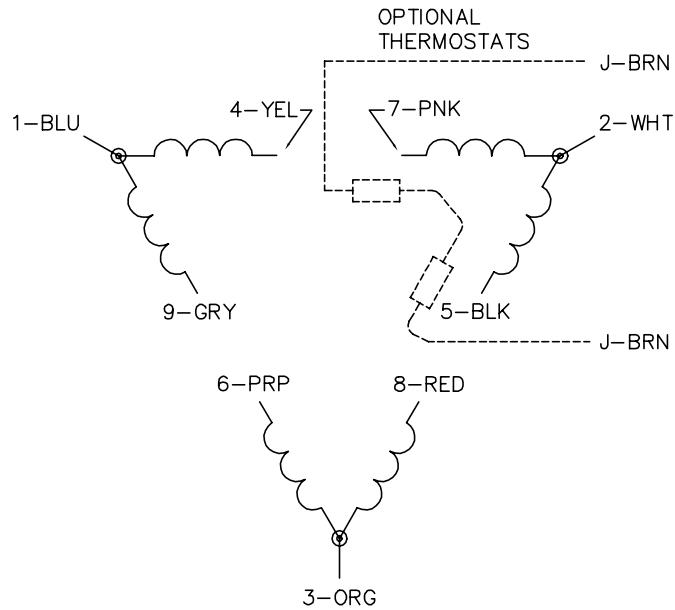
% of Rated Load	25	50	75	100	125	150	S.F.
Power Factor	52	73	82	86	87	87	87
Efficiency	90.1	93.1	93.6	93.2	92.4	91.4	92.7
Speed	1791	1784	1776	1768	1760	1749	1763
Line amperes	25.3	33.8	45.6	58.3	72.5	88.1	66.8

Performance Graph at 460V, 60Hz, 50.0HP Typical performance - Not guaranteed values





CD0180



LOW VOLTAGE  
(2D)



HIGH VOLTAGE  
(1D)



NOTES:

1. INTERCHANGE ANY TWO LINE LEADS TO REVERSE ROTATION.
2. OPTIONAL THERMOSTATS ARE PROVIDED WHEN SPECIFIED.
3. ACTUAL NUMBER OF INTERNAL PARALLEL CIRCUITS MAY BE A MULTIPLE OF THOSE SHOWN ABOVE.
4. LEAD COLORS ARE OPTIONAL. LEADS MUST ALWAYS BE NUMBERED AS SHOWN.

CD0180

REV. DESC: ADD CLASS CONN00000007		
REV. LTR: D	VERSION: 01	TDR: 000001099922
FILE: \AAA\00005\148	REVISED: 10:25:29 02/19/2019	BY: ENBRIRO
MTL: -	© □	

**BALDOR - RELIANCE®**

3PH, DV, 9 LEADS, DELTA CONNECTION

SH 1 of 1